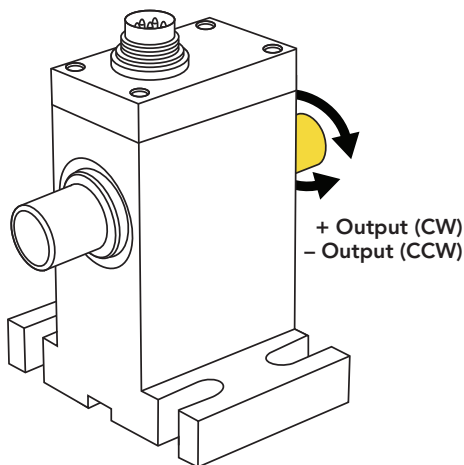




FEATURES

- Utilizes strain gauge technology
- Angle speed feedback included
- Compact size
- Can operate up to 7000 RPM

Active end



SPECIFICATIONS

PERFORMANCE

Nonlinearity	±0.2% of RO
Hysteresis	±0.1% of RO
Nonrepeatability	±0.2% of RO
Rotational Speed	7000 Max

ELECTRICAL

Rated Output (RO)	±5 VDC
Excitation (VDC or VAC)	11–26 VDC, 1 Watt
Connection	12 pin Binder Series #581 (09-0331-90-12)

MECHANICAL

Weight (approximate)	1.1 lb [0.50 kg] (8.9-88.5 in-lb) 2.2 lb [1 kg] (177-443 in-lb)
Safe Overload	150% of RO
Material	Aluminum (Housing) 17-4 PH stainless-steel (Shaft)
IP Rating	IP40

TEMPERATURE

Operating Temperature	–13 to 176°F (–25 to 80°C)
Compensated Temperature	41 to 122°F (5 to 50°C)
Temperature Shift Zero	±0.01% of RO/°F (±0.02% of RO/°C)
Temperature Shift Span	±0.01% of RO/°F (±0.02% of RO/°C)

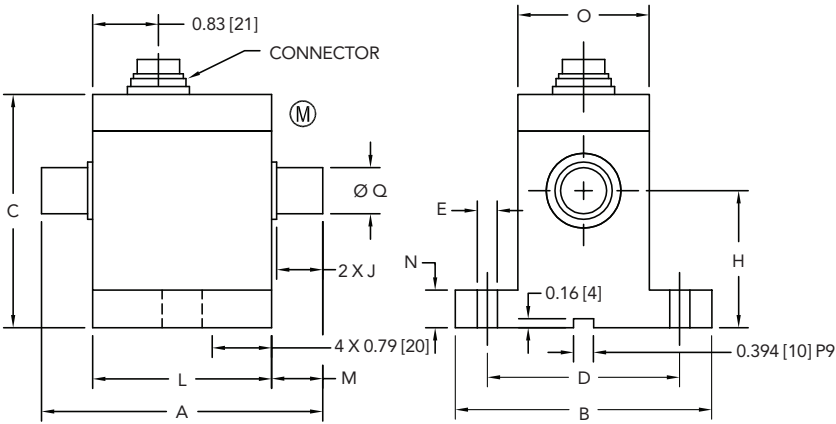
CALIBRATION

Calibration Test Excitation	12 VDC
Calibration (standard)	Certificate of Conformance
Calibration (available)	5-pt CW & CCW
Shunt Calibration Value	With sensor fully connected apply 11–26 VDC to Pins A & K to generate 5 VDC nom output

CONFORMITY

RoHS	2014/30/EU
CE	EN 61000-6-4:2011-09; EN 55011:2011-04 Criteria A Certification for Equipment, EMC Emission EN 61000-6-2:2006-03; EN 61000-4-2:2009-12; EN 61000-4-3:2011-04; EN 61000-4-4:2013-04; EN 61000-4-5:2015-03; EN 61000-4-6:2014-08 Criteria A Certification for Equipment, EMC Immunity

DIMENSIONS inches [mm]



(M) = MEASURING SIDE

* MAXIMUM LOAD ALLOWED. NOT FOR MEASUREMENT.

CONNECTOR CODE (CABLE PACKAGE WIRING CODE)

PIN	WIRING CODE
TORQUE CONNECTIONS	
F	POWER/RED
E	GROUND/BLACK
C	SIGNAL OUTPUT/GREEN
D	GROUND/WHITE
ANGLE CONNECTIONS	
H	POWER/ORANGE
E	GROUND/BLACK
B	SIGNAL (ANGLE 1)/BLUE
G	SIGNAL (ANGLE 2)/BROWN
SHUNT CAL CONNECTIONS	
K	POWER/PURPLE
A	GROUND/YELLOW
SHIELD CONNECTION	
M	SHIELD (FLOATING)

ENCODER SPECIFICATIONS

ELECTRICAL	
Output	Impulse (TTL)
Pulses/Rev	2 x 360
Excitation	5 VDC
Angle 1	Leading Pulse
Angle 2	Trailing Pulse (90°)

CAPACITIES

ITEM #	in-lb	Nm	Ø Q	A	B	C	D	E	H	J	L	M	N	O	*** Max Axial Force lb [N]	*** Max Radial Force lb [N]	Weight lb [kg]
FSH02562	8.9	1	0.394 [10] g6	3.54 [90]	2.28 [58]	3.27 [83]	1.77 [45]	0.28 [7]	1.77 [45]	0.59 [15]	2.28 [58]	0.63 [16]	0.47 [12]	1.10 [28]	4.5 [20]	3 [15]	1.1 [0.50]
FSH02563	17.7	2													11 [50]	5 [25]	
FSH02564	44.3	5													22 [100]	11 [50]	
FSH02565	88.5	10	0.669 [17] g6	4.17 [106]	3.35 [85]	4.02 [102]	2.36 [60]	0.35 [9]	2.48 [63]	0.87 [22]	2.32 [59]	0.91 [23]	0.59 [15]	1.50 [38]	33 [150]	33 [150]	2.2 [1.00]
FSH02566	177	20													45 [200]	33 [150]	
FSH02567	443	50													45 [200]	33 [150]	

Drawing Number: FI1248-D

FUTEK reserves the right to modify its design and specifications without notice. Please visit <http://www.futek.com/salesterms> for complete terms and conditions.

10 Thomas, Irvine, CA 92618 USA

Tel: (949) 465-0900

Fax: (949) 465-0905

www.futek.com



RoHS



U.S. Manufacturer