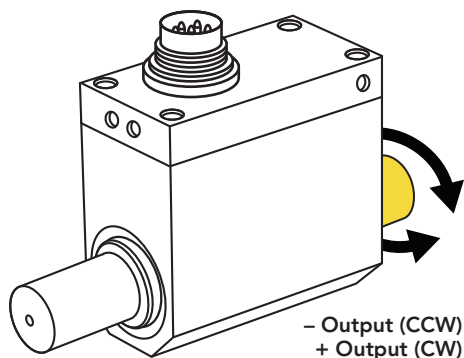




FEATURES

- Utilizes strain gauge technology
- Compact size
- Can operate up to 12000 RPM
- 17-4 PH stainless-steel construction

 Active end



SPECIFICATIONS

PERFORMANCE

Nonlinearity	±0.2% of RO
Hysteresis	±0.1% of RO
Nonrepeatability	±0.2% of RO
Rotational Speed	12000 Max

ELECTRICAL

Rated Output (RO)	±5 VDC
Excitation (VDC or VAC)	11–26 VDC, 1 Watt
Connection	12 pin Binder Series #581 (09-0331-90-12)

MECHANICAL

Weight (approximate)	0.6 lb [0.28 kg] (9-89 in-lb) 1.1 lb [0.50 kg] (177-443 in-lb) 2.3 lb [1.06 kg] (885 in-lb)
Safe Overload	150% of RO
Material	Aluminum (Housing) 17-4 PH stainless-steel (Shaft)
IP Rating	IP40

TEMPERATURE

Operating Temperature	–13 to 176°F (–25 to 80°C)
Compensated Temperature	41 to 122°F (5 to 50°C)
Temperature Shift Zero	±0.01% of RO/°F (±0.02% of RO/°C)
Temperature Shift Span	±0.01% of RO/°F (±0.02% of RO/°C)

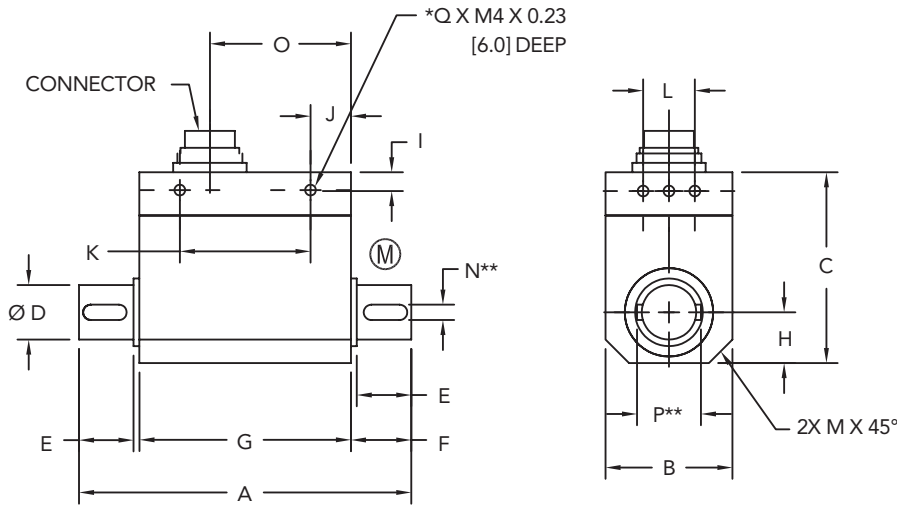
CALIBRATION

Calibration Test Excitation	12 VDC
Calibration (standard)	Certificate of Conformance
Calibration (available)	5-pt CW & CCW
Shunt Calibration Value	With sensor fully connected apply 11–26 VDC to Pins A & K to generate 5 VDC nom output

CONFORMITY

RoHS	2014/30/EU
CE	EN 61000-6-4:2011-09; EN 55011:2011-04 Criteria A Certification for Equipment, EMC Emission EN 61000-6-2:2006-03; EN 61000-4-2:2009-12; EN 61000-4-3:2011-04; EN 61000-4-4:2013-04; EN 61000-4-5:2015-03; EN 61000-4-6:2014-08 Criteria A Certification for Equipment, EMC Immunity

DIMENSIONS inches [mm]



CONNECTOR CODE

PIN	WIRING CODE
F	POWER/RED
E	GROUND/BLACK
C	SIGNAL/GREEN
D	RETURN (SIGNAL)/WHITE
M	SHIELD/FLOATING
K	SHUNT CAL/PURPLE
A	SHUNT CAL (GND)/YELLOW

(M) = MEASURING SIDE

* ANTI-ROTATION HOLES, NOT TO BE USED TO SUPPORT LOAD

** FEATHER KEYWAYS PER DIN 6885, KEYWAYS COME PRE-INSTALLED

CAPACITIES

ITEM #	in-lb	Nm	A	B	C	Ø D	E	F	G	H	I	J	K	L	M	N**	O	P**	Q*	***	***	Rotational Speed (max)	
																				Max Axial Force lb [N]	Max Radial Force lb [N]		
FSH01994	9	1																			4.5 [20]	1 [5]	12000 RPM
FSH01995	18	2	3.62 [92]	1.10 [28]	2.04 [52]	0.394 [10] g6	0.63 [16]	0.67 [17]	2.28 [58]	0.55 [14]	0.19 [5]	0.43 [11]	-	0.31 [8]	0.32 [8]	-	1.46 [37]	-	6	11 [50]	1 [5]	9000 RPM	
FSH01996	44	5																		2 [10]	4.5 [20]		
FSH01997	89	10																			34 [150]	7 [30]	9000 RPM
FSH01998	177	20	4.25 [108]	1.49 [38]	2.28 [58]	0.748 [19] g6	1.18 [30]	1.26 [32]	1.73 [44]	0.75 [19]	0.24 [6]	0.86 [22]	-	-	0.40 [10]	0.236 [6]	0.87 [22]	0.945 [24]	3	45 [200]	11 [50]		
FSH01999	443	50																			90 [400]	56 [250]	
FSH02730	885	100	4.92 [125]	2.28 [58]	2.99 [76]	1.102 [28] g6	1.06 [27]	1.20 [30.5]	2.52 [64]	1.14 [29]	0.19 [5]	0.55 [14]	1.97 [50]	1.18 [30]	-	0.315 [8] p9	1.57 [40]	1.34 [34]	8				

Drawing Number: FI1028-H

FUTEK reserves the right to modify its design and specifications without notice. Please visit <http://www.futek.com/salesterms> for complete terms and conditions.

10 Thomas, Irvine, CA 92618 USA

Tel: (949) 465-0900

Fax: (949) 465-0905

www.futek.com



RoHS



U.S. Manufacturer