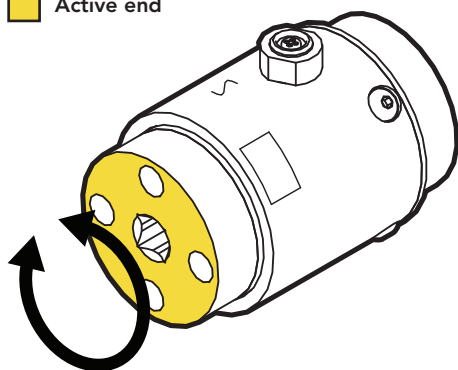




FEATURES

- Easily integrates into OEM applications
- Designed for Torque auditing
- Aluminum construction
- Built-in overload protection on lower ranges
- Strain gauge based

 Active end



- Output (CCW)
+ Output (CW)

SPECIFICATIONS

PERFORMANCE

Nonlinearity	±0.2% of RO
Hysteresis	±0.2% of RO
Nonrepeatability	±0.05% of RO

ELECTRICAL

Rated Output (RO)	1 mV/V nom (5 in-oz) 2 mV/V nom (10 in-oz to 500 in-lb)
Excitation (VDC or VAC)	18 max
Bridge Resistance	350 Ohm nom (5 to 1000 in-oz) 700 Ohm nom (100 to 500 in-lb)
Connection	4 Pin LEMO® Receptacle (EGG. OB. 304 CLL)
Wiring Code	CC4

MECHANICAL

Weight (approximate)	14 oz [397 g]
Safe Overload	150% of RO
Material	Aluminum
IP Rating	IP40

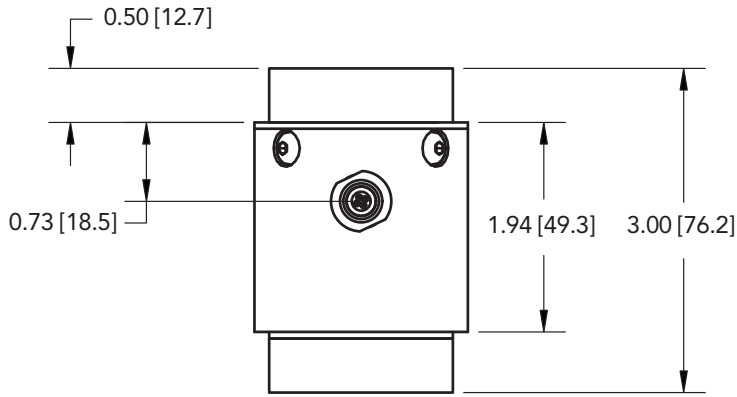
TEMPERATURE

Operating Temperature	-60 to 200°F (-50 to 93°C)
Compensated Temperature	60 to 160°F (15 to 72°C)
Temperature Shift Zero	±0.002% of RO/°F (0.0036% of RO/°C)
Temperature Shift Span	±0.002% of Load/°F (0.0036% of Load/°C)

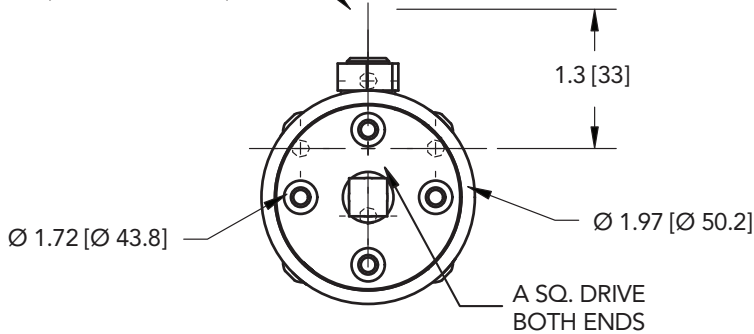
CALIBRATION

Calibration Test Excitation	10 VDC
Calibration (standard)	5-pt CW
Calibration (available)	5-pt CW & CCW
Shunt Calibration Value	60.4 kOhm (10 to 1000 in-oz) 100 kOhm (5 in-oz, 100 to 500 in-lb)

DIMENSIONS inches [mm]



LEMO RECEPTACLE
EGG.OB.304.CLL
MATING CONNECTOR
FGG.OB.304.CLAD35
(NOT INCLUDED)



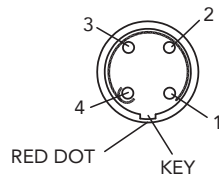
CAPACITIES

ITEM #	in-oz	Nm	A	Torsional Stiffness in-oz/rad
FSH02779	5*	0.04	1/4"	325
FSH02780	10*	0.07		650
FSH02782	50*	0.35		3500
FSH02784	160*	1.1		11000
FSH02785	400*	2.8		30000
FSH02786	1000	7.0		71000
FSH02787	100 in-lb	11	3/8"	77000 in-lb/rad
FSH02788	200 in-lb	22		95000 in-lb/rad
FSH02789	500 in-lb	56		199000 in-lb/rad

* WITH OVERLOAD PROTECTION
FOR HIGHER CAPACITIES REFER TO MODELS TFF600-750 AND TDF600-750
AND TDF600-675

CONNECTOR CODE (CC4)

PIN	WIRING CODE
1	+ EXCITATION/RED
4	- EXCITATION/BLACK
2	+ SIGNAL/GREEN
3	- SIGNAL/WHITE



Drawing Number: FI1135-F

FUTEK reserves the right to modify its design and specifications without notice.
Please visit <http://www.futek.com/salesterms> for complete terms and conditions.

10 Thomas, Irvine, CA 92618 USA

Tel: (949) 465-0900

Fax: (949) 465-0905

www.futek.com



U.S. Manufacturer