

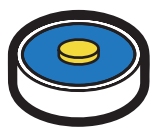


## FEATURES

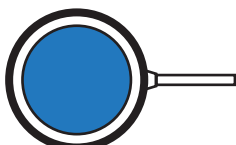
- Ultra fast response
- Robust strain relief
- Low deflection
- 17-4 stainless-steel construction
- For use in compression
- Adheres to RoHS directive 2011/65/EU

 Non-loading surface, do not contact

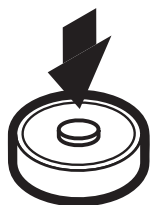
 Active End



Top view



Bottom view



+ Output (compression)

## SPECIFICATIONS

### PERFORMANCE

Nonlinearity	±0.5% of RO
Hysteresis	±0.5% of RO
Nonrepeatability	±0.1% of RO

### ELECTRICAL

Rated Output (RO)	2.5 mV/V (1000 lb) 1 mV/V (50, 250 lb) 2 mV/V (25, 100, 500 lb)
Excitation (VDC or VAC)	18 max
Bridge Resistance	700 Ohm nom
Insulation Resistance	≥500 MOhm @ 50 VDC
Connection	#29 AWG, 4 conductor, spiral shielded Teflon cable 10-ft [3 m] long
Wiring/Connector Code	WC1

### MECHANICAL

Weight	1.2 oz [34 g]
Safe Overload	150% of RO
Deflection	See chart on next page
Material	17-4 PH stainless-steel
IP Rating	IP64

### TEMPERATURE

Operating Temperature	-60 to 250°F (-50 to 121°C)
Compensated Temperature	60 to 160°F (15 to 121°C)
Temperature Shift Zero	±0.01% of RO/°F (±0.018% of RO/°C)
Temperature Shift Span	±0.02% of Load/°F (±0.036% of Load/°C)

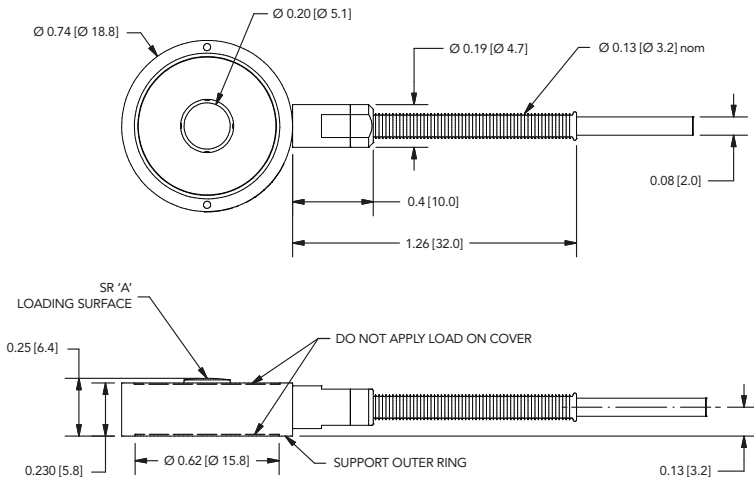
### CALIBRATION

Calibration Test Excitation	10 VDC
Calibration (std)	5-pt Compression
Shunt Calibration Value	100 kOhm

### CONFORMITY

RoHS	2011/65/EU
CE	EN55011:2009; EN61326-1:2006

**DIMENSIONS inches [mm]**



**WIRING CODE (WC1)**

RED	+ EXCITATION
BLACK	- EXCITATION
GREEN	+ SIGNAL
WHITE	- SIGNAL
SHIELD	FLOATING

**CAPACITIES**

ITEM #	lb	N	Deflection (in)	Natural Frequency (kHz)
FSH03939	25	111	0.0007	21
FSH03954	50	222	0.0003	34
FSH03955	100	445	0.0007	34
FSH03938	250	1112	0.0004	52
FSH03953	500	2224	0.0007	52
FSH03937	1000	4448	0.001	58

Drawing Number: FI1119-D

FUTEK reserves the right to modify its design and specifications without notice. Please visit <http://www.futek.com/salesterms> for complete terms and conditions.

10 Thomas, Irvine, CA 92618 USA

Tel: (949) 465-0900

Fax: (949) 465-0905

[www.futek.com](http://www.futek.com)



RoHS



U.S. Manufacturer